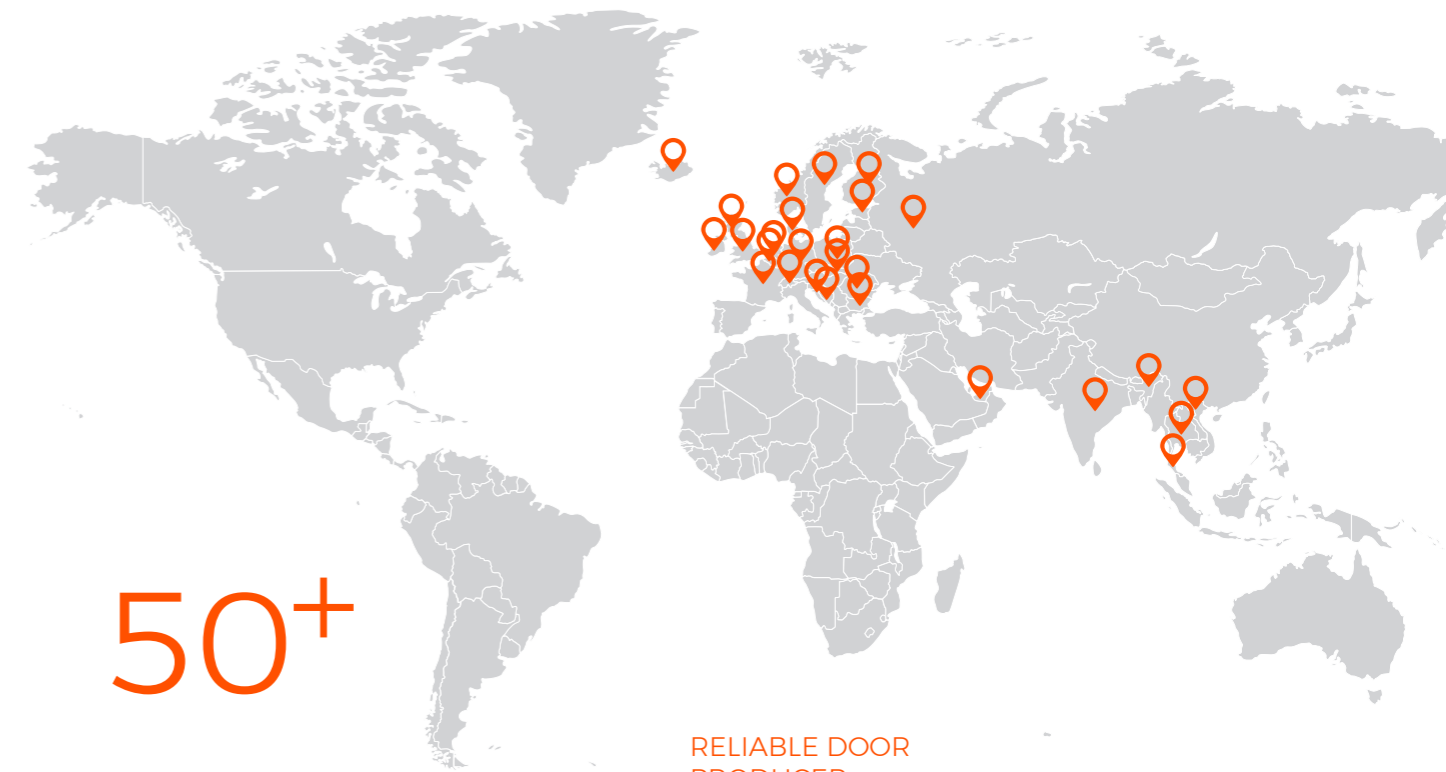




**GUARDY**  
RESIDENTIAL DOORS



We develop doors both Industrial and Residential. 20 years of market experience can tell our story.



50+

**RELIABLE DOOR PRODUCER**

- Supplies to more than 50 countries worldwide
- Cooperation with renowned suppliers of door components
- Quality Management System, Automated Production and Quality Control
- Professional customer service, Complex door configuration

**OPTIMIZED SOLUTIONS**

- We design and produce doors according to standard/non-standard request
- Various possibilities of modification in non-standard cases: oversize, track deflection, track length, etc...
- Quality Technical Service



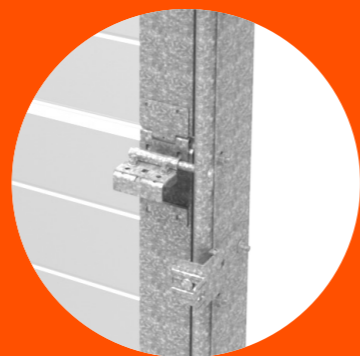
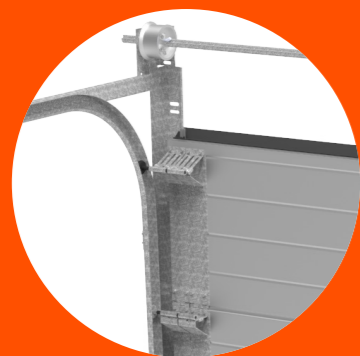
**HSE (Health & Safety & Environment)**

Certification according to EN 13241-1

Toors is significant member of **EDSF** (European Door and Shutter Federation)

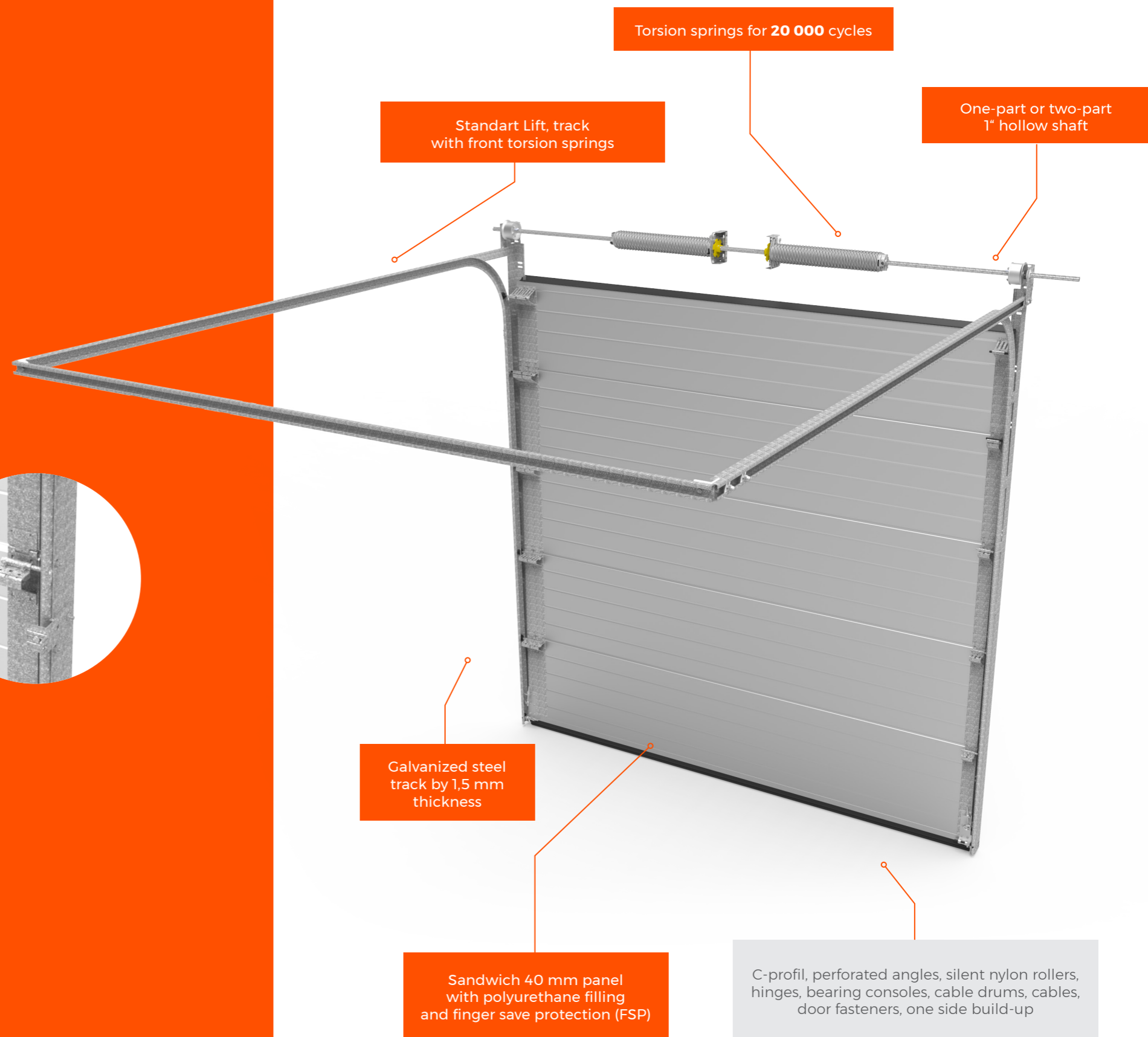


# BASIC SPECIFICATION

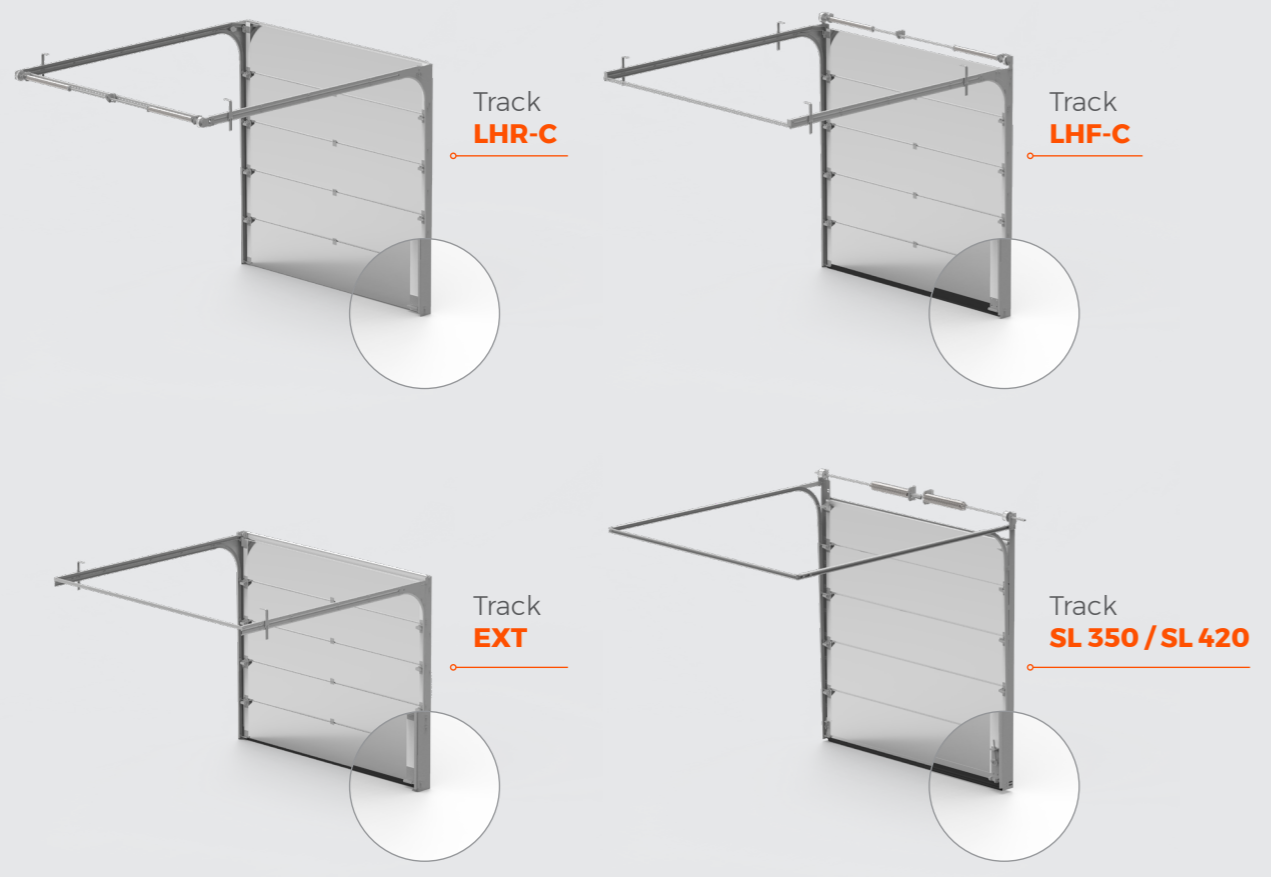


Quality and safety of TOORS sectional doors is at the first place. TOORS sectional doors are produced from a quality materials and components, supplied by distinguished European suppliers. Complete process of production is countinously controlled to ensure customer's satisfaction, at all requests.

TOORS sectional doors fullfill European norms related to door technics and tested by harmonised norm EN 13241-1.



## TRACK TYPES



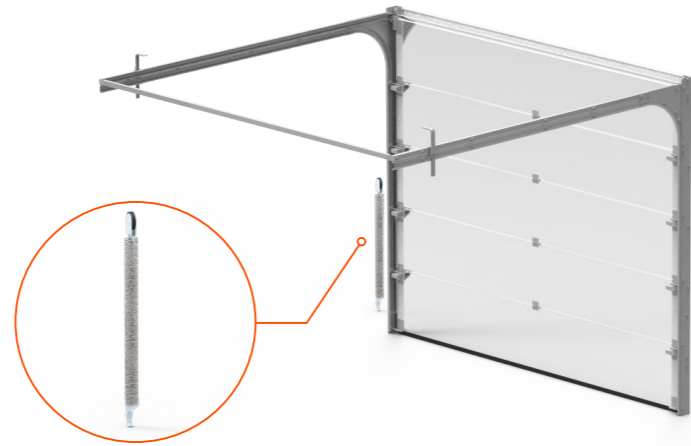
Track types	Subcategory	Lintel... with/ without the operator - lintel sealing	Lintel... with/ without the operator - section sealing	Min. side space	Max. m <sup>2</sup>	Max. dimension
<b>EXT</b> - Track with extension springs	EXT	0-100 / 0-125	N/A	0-95	8,5 m <sup>2</sup>	4 000 x 2 625
<b>LHR-C / LHF-C</b> - Track with torsion springs	LHR-C - Rear springs	100 / 125	125 / 160	90	14 m <sup>2</sup>	5 500 x 3 000
	LHF-C - Front springs	200 / 200	200 / 200	90	14 m <sup>2</sup>	5 500 x 3 000
<b>SL</b> - Standard Lift	SL 350	350 / 350	350 / 350	125	14 m <sup>2</sup>	5 500 x 3 000
	SL 420	420 / 420	420 / 420	125	14 m <sup>2</sup>	5 500 x 3 000



## TRACKS BY SPRING TYPE

### TRACKS WITH EXTENSION SPRINGS

- Easy and fast installation
- Uniform design of doors and cover sheets
- Silent motion by using of plastic inserts for nylon rollers with bearing
- Bottom sealing integrated direct in the panel without usage of AL profile
- Certification according to EN 13241-1



#### Standardized heights of sets

1 875 mm    2 000 mm    2 125 mm    2 250 mm    2 375 mm    2 500 mm    2 625 mm

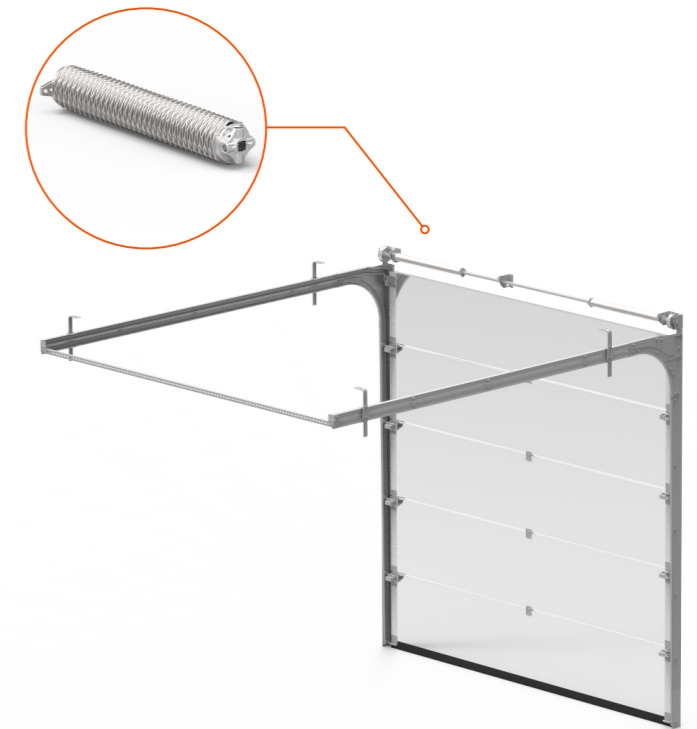
#### Renovation sets

1 955 mm    2 080 mm



### TRACKS WITH TORSION SPRINGS

- Robust tracks without plastic parts
- Silent motion by using of plastic inserts for nylon rollers with bearing
- Bottom sealing integrated direct in the panel without usage of AL profile
- Easy installation thanks to preassembled shaft and other parts of track
- Possible fine track adjustment while installation due to rivet joints
- Certification according to EN 13241-1



We design and produce doors according to standard/non-standard request with possibility of integrated Pass Door and fully glazed aluminium sections.

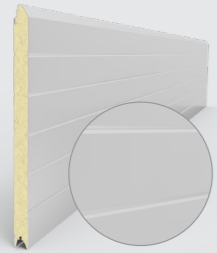




We aim mainly to overhead door production. At our disposal, we have top notch machinal equipment and sufficient production capacity to cover increasing demand.

# PANELS

## DESIGN PROTECT

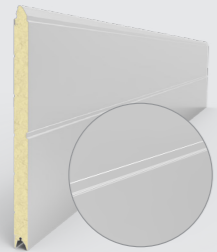


**Surface structure**  
lamella stucco / lamella flat

**Outside color**  
according to current panel range

**Innside color**  
according to current panel range

Finger safe protection (FSP) | Polyurethane foam core |  
Double-side hot dip galvanizing |  
U = 0,52 W/m²K | R = 25 dB

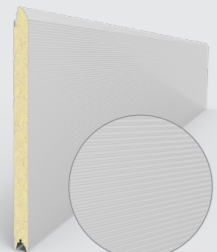


**Surface structure**  
central rib smooth / central rib woodgrain

**Outside color**  
according to current panel range

**Innside color**  
according to current panel range

Finger safe protection (FSP) | Polyurethane foam core |  
Double-side hot dip galvanizing |  
U = 0,52 W/m²K | R = 25 dB

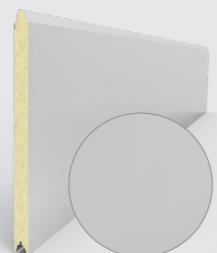


**Surface structure**  
V-profile smooth

**Outside color**  
according to current panel range

**Innside color**  
according to current panel range

Finger safe protection (FSP) | Polyurethane foam core |  
Double-side hot dip galvanizing |  
U = 0,52 W/m²K | R = 25 dB



**Surface structure**  
flat smooth

**Outside color**  
according to current panel range

**Innside color**  
according to current panel range

Finger safe protection (FSP) | Polyurethane foam core |  
Double-side hot dip galvanizing |  
U = 0,52 W/m²K | R = 25 dB



# LAMINATION

## LAMINATE FOIL

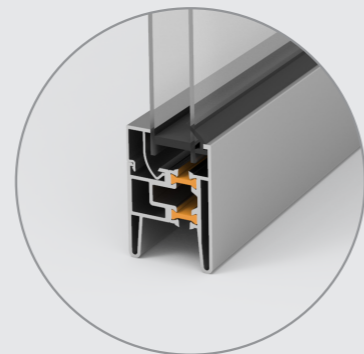
- Multilayer foil with semi-hard bottom foil
- High resistance against the weather conditions, UV radiation and chemicals
- Service life 7-10 years
- Applicable for panels with flat surface (Flat, Lamela Flat, Central Rib)
- Up to 6 000 mm door width
- Possibility to unify whole house design (doors, windows,...)
- Easy maintenance



## ALUMINIUM FULLY GLAZED SECTIONS

### TECHNICAL PREFERENCES

- Standard design with anodized aluminium frame E6/EV1
- Variable design for PROTECT panels with and without broken thermal bridge
- Choice of different fillings depending on design, thermal insulation properties and air permeability
- Possibility of additional painting of aluminium frames to RAL, NCS, DB
- Anti-scratch



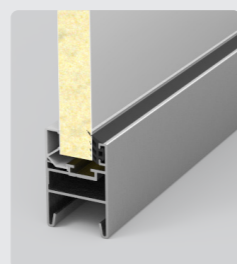
### DESIGN WITHOUT BROKEN THERMAL BRIDGE



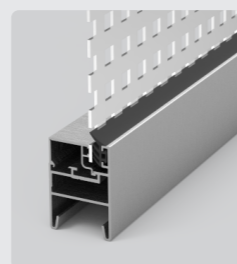
Single



Double



Stucco Filling



Aluminium Expanded Mesh

### DESIGN WITH BROKEN THERMAL BRIDGE

- For panels PROTECT (40 mm)
- Design identical with current fully glazed solution with finger save protection
- Excellent insulating properties (decreased heat permeability up to 22%)
- Stopped water condensation on innerside (Exterior vs Interior)



FVE TB - 40 mm

DECREASE OF HEAT PERMEABILITY UP TO

22%

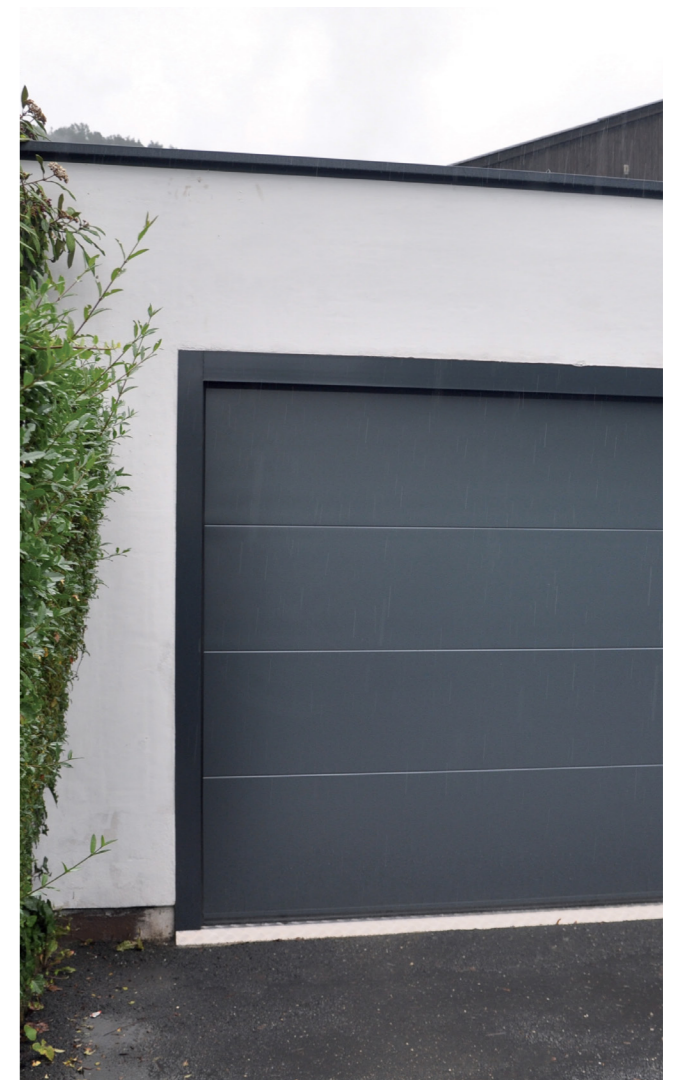
## WINDOWS

### PARAMETERS

- Window placement according to customer's wish
- Window frames from stainless steel or plastics
- Possibility of additional painting to RAL, NCS, DB







We produce residential doors from sandwich panels of 40 mm thickness, which are the guarantee of excellent thermal and insulating properties.

You can choose residential doors with extension or torsion springs, also select one of more than 50 shades and structures of the surface.

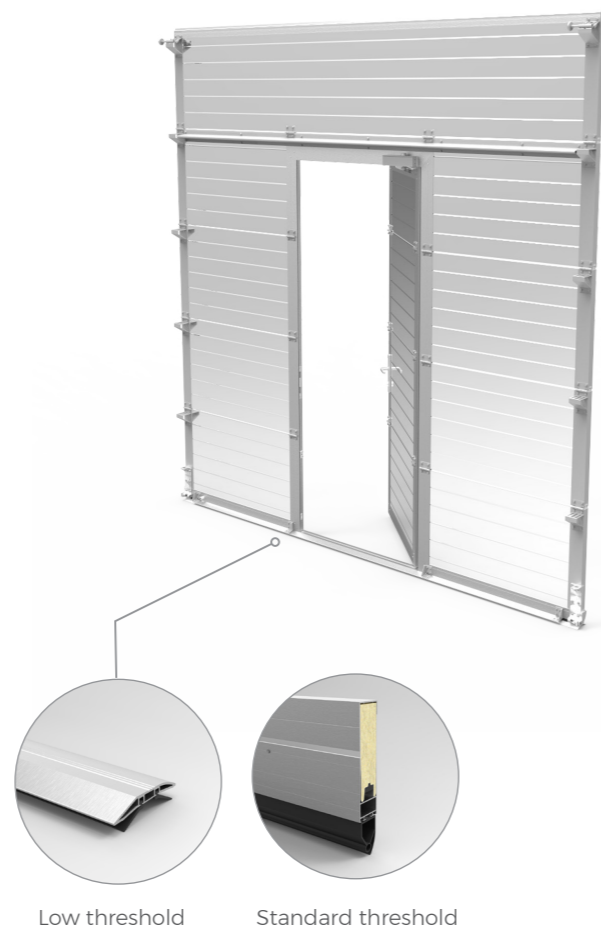
# PASS DOOR

## TECHNICAL PREFERENCES

- Option to chose threshold- standard, low
- Anodized aluminium profiles E6/EV1
- Easy and fast installation
- Integrated steel reinforcement strut bellow door closer
- Possibility of additional painting to RAL, NCS, DB

## THRESHOLD HEIGHTS

Section	Threshold	Height
Panel	low	18 mm
FVE	low	18 mm
Panel	standard	225 mm
FVE	standard	130 mm



BY USING LOW THRESHOLD THE NORM OF EMERGENCY EXIT IS MET



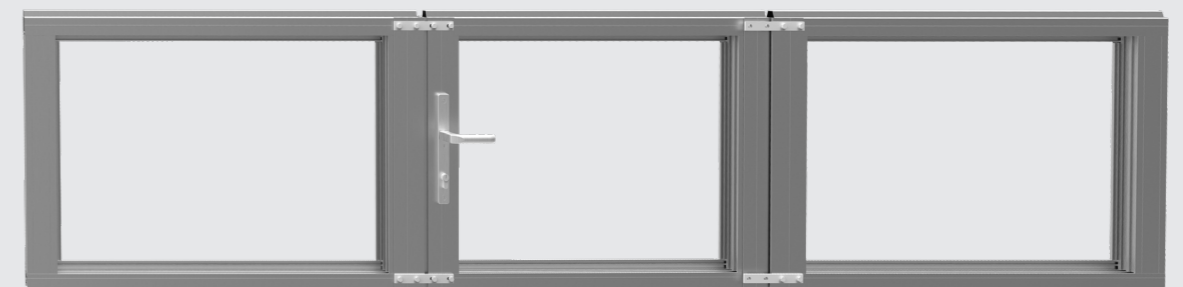
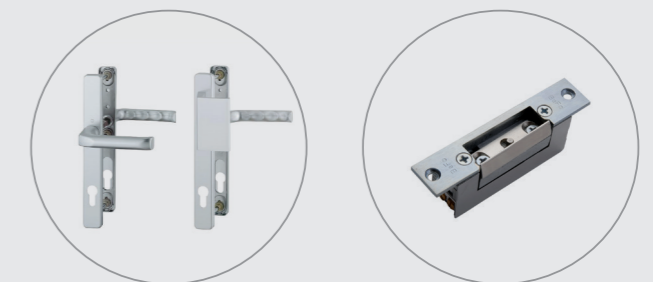
## PARAMETERS

Door height	1. - 4. section composition	Threshold	Handle height
2 300 mm	4 x 610 mm	Low	980 mm
		Standard	1 030 mm
2 190 mm	3 x 610 mm 1 x 500 mm	Low	980 mm
		Standard	1 030 mm
2 080 mm	2 x 610 mm 2 x 500 mm	Low	980 mm
		Standard	1 030 mm
1 970 mm	1 x 610 mm 3 x 500 mm	Low	980 mm
		Standard	1 030 mm
1 860 mm	4 x 500 mm	Low	870 mm
		Standard	920 mm



## ACCESSORIES

- Panic lock in various designs
- Electric lock
- Possibility of placed window or fully glazed sections



## DOOR OPERATORS

### PARAMETERS

Long service life, reliability and fast motion (17-24 cm/s)

Cog belt ensuring silent motion does not require any maintenance while shelf-life

Thanks to Soft-System function the operator has a slight start and soft stop, which saves mechanical parts of door and the operator itself

We supply operator together with 2 pcs three-channel remote controls



## ACCESSORIES

### OPTION OF ADDITIONS

Wide range of accessories and safety elements for new doors or as addition to already installed doors.



Spare Parts and Accessories you can purchase via specialised website TOORS SERVICE, where full portfolio can be found.



## BLOCKS OF GARAGES

Individual solution for high volume projects for standardized prices

Low-cost realisations by usage of preassembled components

### DOOR OPERATION

- Power operated
- Manually operated

### LOCK TYPES

- Cylinder locks according to European standard
- Lock preparation for Scandinavian standard

### USE MAINLY FOR:

- Communities
- Condominiums
- Associations





As a part of TOORS portfolio, there are Mandoor and Double Leaf Doors. These can help to fill the opening, where is no possibility to use sectional doors.

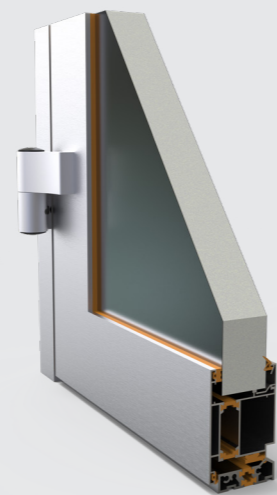
## DOUBLE LEAF DOOR AND MANDOOR (2LD/MD NG)

### BASIC SPECIFICATION:

- Sandwich 40 mm panel with polyurethane filling
- Anodized aluminium profiles
- Passive leaf with securing

### DESIGN:

- With broken thermal bridge (60 mm profiles)
- Without broken thermal bridge (45 mm profiles)
- Installation in or behind the opening



INSIDE/OUTSIDE  
DIRECTION  
OF OPENING



## ACCESSORIES

### HANDLES & LOCKS

A quality hinges placed on the frame of the door.  
Variable types of locks/handles for doors.

#### Handles

- Handgrip
- Knob
- Panic exit bar

#### Locks

- Mortise lock
- Panic lock
- 3-point lock
- Electric Lock

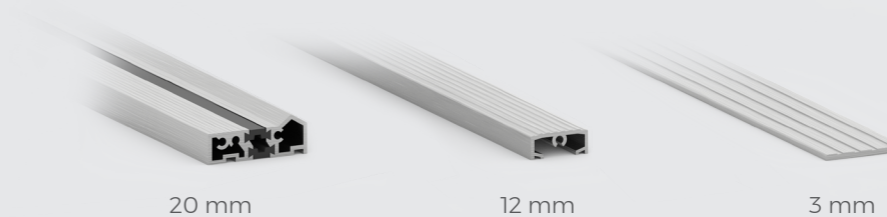


### THRESHOLD TYPES

Several options of thresholds. With or without broken thermal bridge according to the design of whole door. „Thresholdless“ solution suitable for the passage of forklifts or cars.

### THRESHOLD HEIGHTS:

- With broken thermal bridge - 20 mm
- Without broken thermal bridge - 12 mm
- „Thresholdless“ solution - 3 mm
  - With broken thermal bridge
  - Without broken thermal bridge





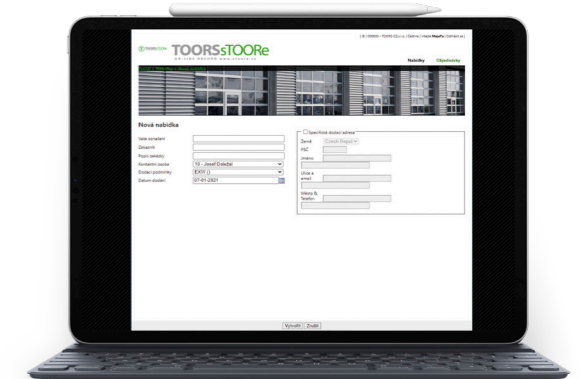
## DOOR CONFIGURATOR

### sTOORe

Configurator of all door types- Industrial door, Residential door, Double Leaf door, Mandoor.

### FUNCTIONS:

- Web interface available from PC, smart phone or tablet
- Fast and easy door specification
- Quotation immediately available for the end customer
- Requested documentation right on hand
- Overview of valid quotations and orders
- Visualisation of configured door



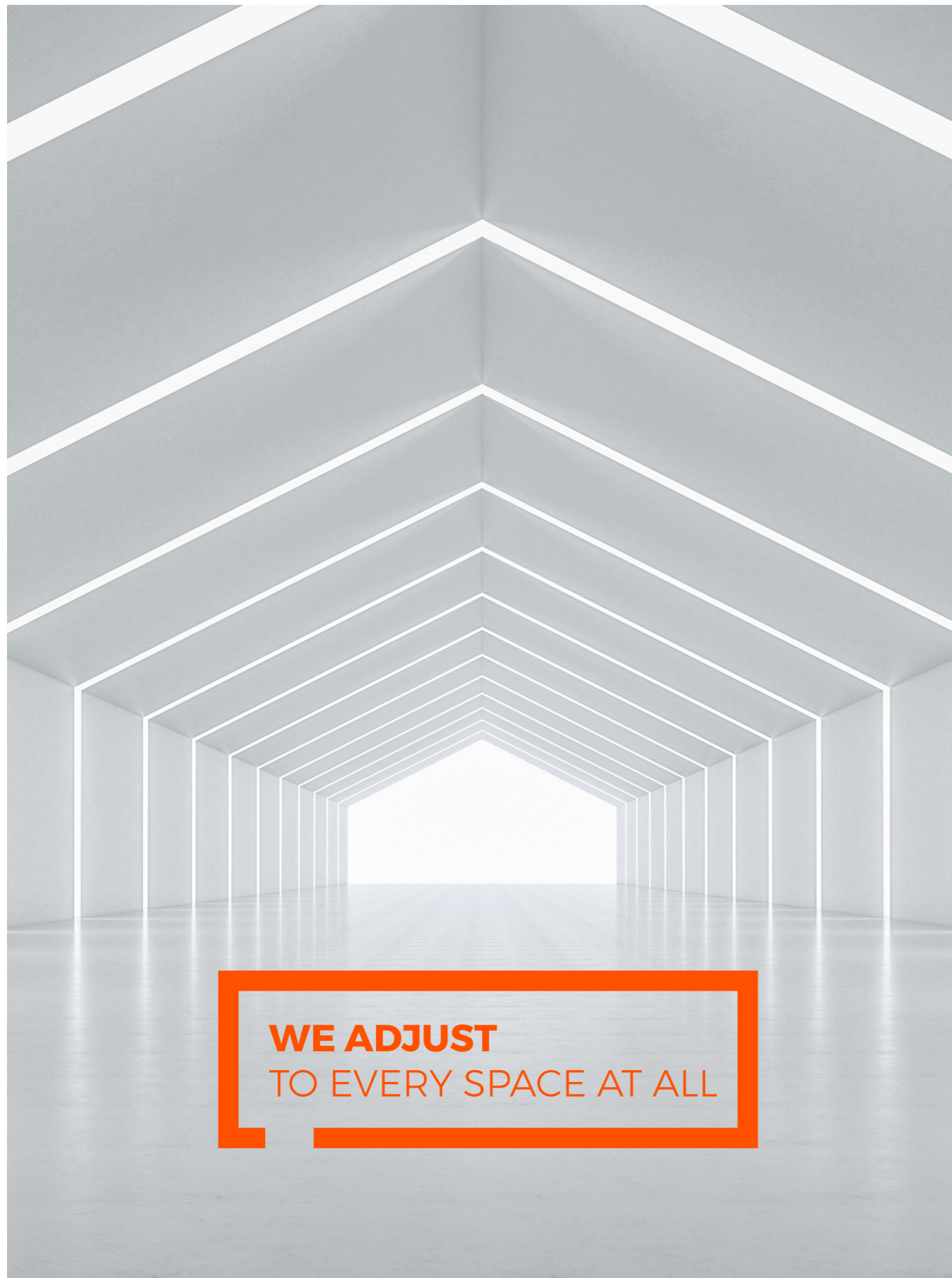
DOOR CONFIGURATION AT DISPOSAL  
IN SEVERAL LANGUAGE MUTATIONS





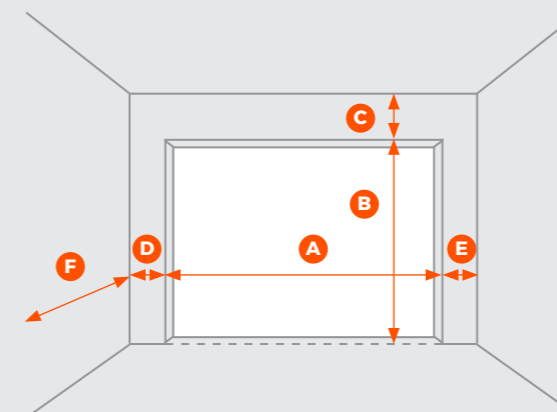
Except of endurance, functionality and certified safety, TOORS residential doors offer also variable design.





**WE ADJUST  
TO EVERY SPACE AT ALL**

## MEASUREMENT PROTOCOL



A - Width		mm.
B - Height		mm.
C - Lintel		mm.
D - Left side		mm.
E - Right side		mm.
F - Space Depth		mm.
Shaft Length		mm.
Angle		%

Door Parameters	Yes	No	Specification
Windows / FVE sections			
Panel design			
Fixed top panel			
Pass Door			
Handle and lock type			
Door operator			
Previous door removal			
Previous door disposal			
Forklift at site			

Customer address

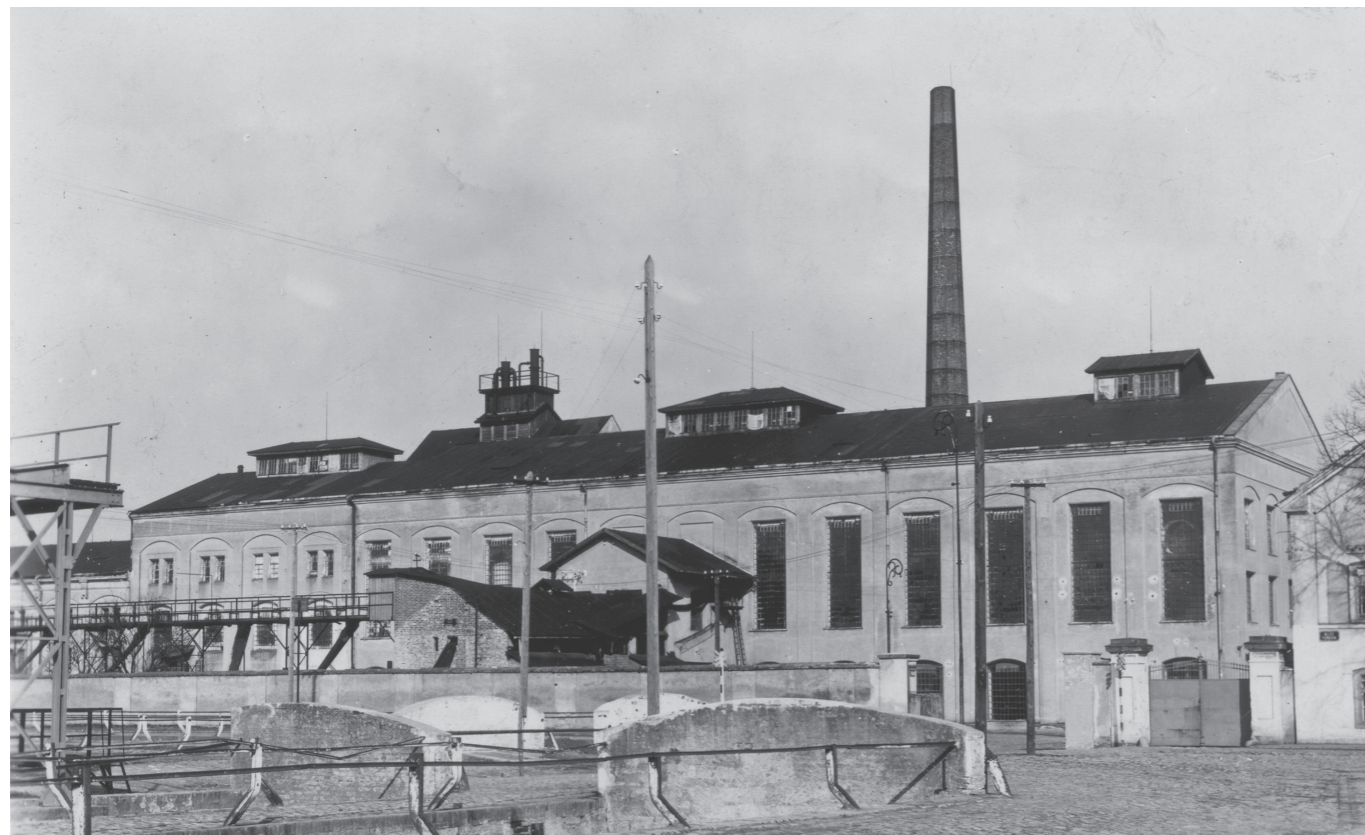
.....  
 .....  
 .....

Name of the installer

.....  
 .....

Note:

.....



## HISTORY OF TOORS

THIS IS WHERE WE PRODUCED OUR FIRST DOOR.

### THIS IS WHERE IT ALL STARTED

It's been a quarter of a century we decided to build our business on respect to customers, suppliers, colleagues and others.

### AND TODAY?

TOORS stands for great professionals in the European door industry. We are conquering the world slowly but surely.

GENERAL COMPANY DATA	
COMPANY ESTABLISHED	2 000
TURNOVER 2019	20 MIO €
DOORS PRODUCED 2019	20 000 PCS
DOORS TO BE PRODUCED 2023	36 000 PCS
EMPLOYEES	135
EDSF (European Door & Shutter Federation)	Since 2010
LAND AREA	18 000 m <sup>2</sup>
PRODUCTION & WAREHOUSE	12 000 m <sup>2</sup>
NUMBER OF COUNTRIES WHERE WE OPERATE	50+



PRODUCTION CAPACITY  
**+30 000** PCS  
PER YEAR

## DEVELOPMENT OF TOORS

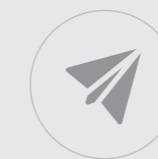


### THREE BASIC PILLARS OF TOORS COMPANY CULTURE



#### EASY COOPERATION

- Friendly communication
- Minimum of bureaucracy
- Flexible and fast decision chain



#### LEAN THINKING

- Openness for changes
- Smart efficiency and cost savings
- Added value focus



#### FREEDOM WORKS

- Responsibility build freedom
- Respect and fair treatment
- Leadership and enthusiasm



TOORS CZ s.r.o.

Turkova 1338

504 01 Nový Bydžov

+420 495 491 855 | [toors@toors.cz](mailto:toors@toors.cz)

[www.toors.com](http://www.toors.com)

